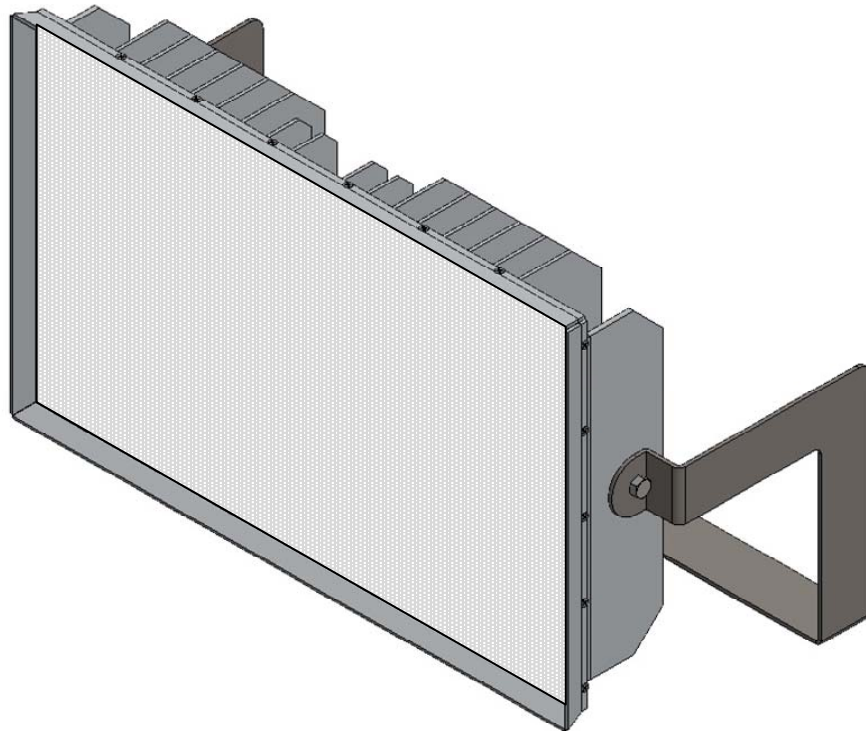


LiteBLOCK-AEDL

SPORTS LIGHT

INSTALLATION INSTRUCTIONS

MODEL No: IYWI 4X6730D-050/83SLODN70KLM
(Applicable to models 40KLM to 80KLM)



LiteBLOCK-AEDL

120LM/W MIN -The best way for energy saving

Manufactured by: IYWInc

(Industries Yi Fei Wang Inc., St Colomban, QC, Canada)

IMPORTANT INSTALLATION INSTRUCTIONS; READ BEFORE INSTALLATION!

1.0 HANDLING AND MOUNTING!

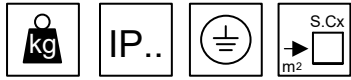
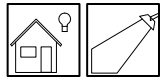
- 1.1 LiteBLOCK Luminaires are designed and manufactured to give the best performance for reliability and efficiency. Mechanical components such as the thermal fins and LED lens are fragile and NOT designed to carry the full load of installation or weight of the luminaire!
- 1.2 Lifting and Handling, should be only by the stainless steel Mounting Bracket, Damping Bracket and Side Mount Angles.
- 1.3 Ensure that the protective covering for the LED lens is used during installation.

2.0 ALIGNMENT

- 2.1 The Laser Holder should be gently pushed onto a fin avoiding any side flexing or strain on the fin. Ensure that the fit is snug against the body of the Luminaire as per diagram on Page 7.
- 2.2 Optical Alignment may be performed, (Once the Luminaire is mounted firmly on the main tower structure) by gentle movement of the Mounting Bracket, Anti-Glare shield and/ or the extremity of the Luminaire.

LiteBLOCK-AEDL

120LM/W MIN -The best way for energy saving



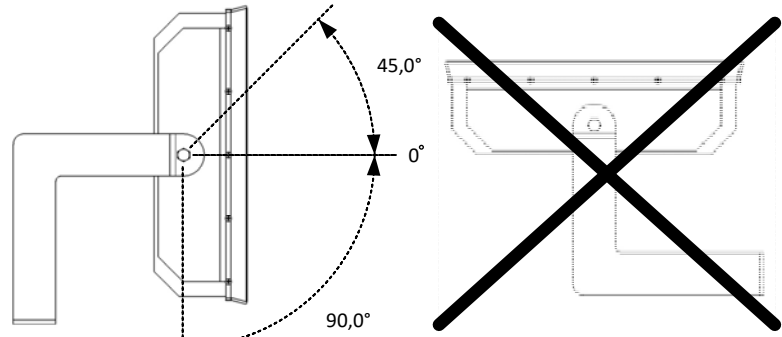
MODEL 80KLM	12	67	I	0.22
-------------	----	----	---	------



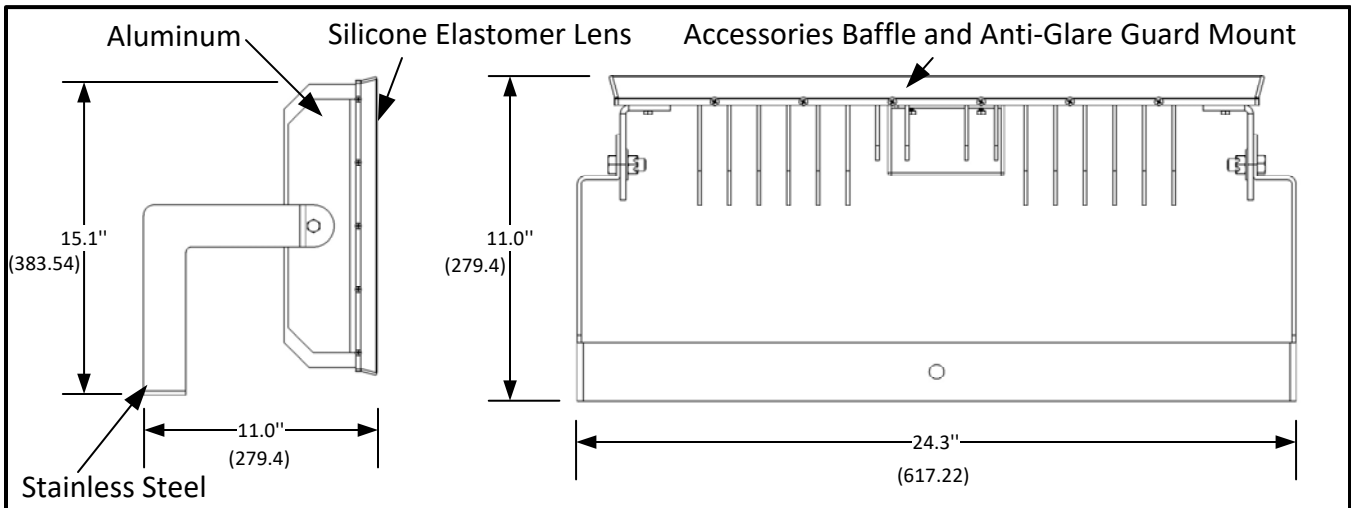
640W LED	1	30
----------	---	----

CE CERTIFIED TO:

- Low Voltage Directive 2014/35/EU
- EMC Directive 2014/30/EU
- RoHS 2 directive 2011/65/EU
- EN 62560:2012+A1:2015
- EN 60598-1:2015
- EN 60384-14:2013
- EN 60529:1992+A2:2013
- EN 61000-6-3:2007+A1:2011
- EN 61000-6-1:2007



LM 79 Data: 120 Lm/W To standards CIE 84-1989, IESNA LM-16-93, IESNA LM-58-94, IES LM-79-08, ANSI C82.77-2002



ALL DIMENSIONS ARE REFERENCE: XX.XX in (YY.YY) mm

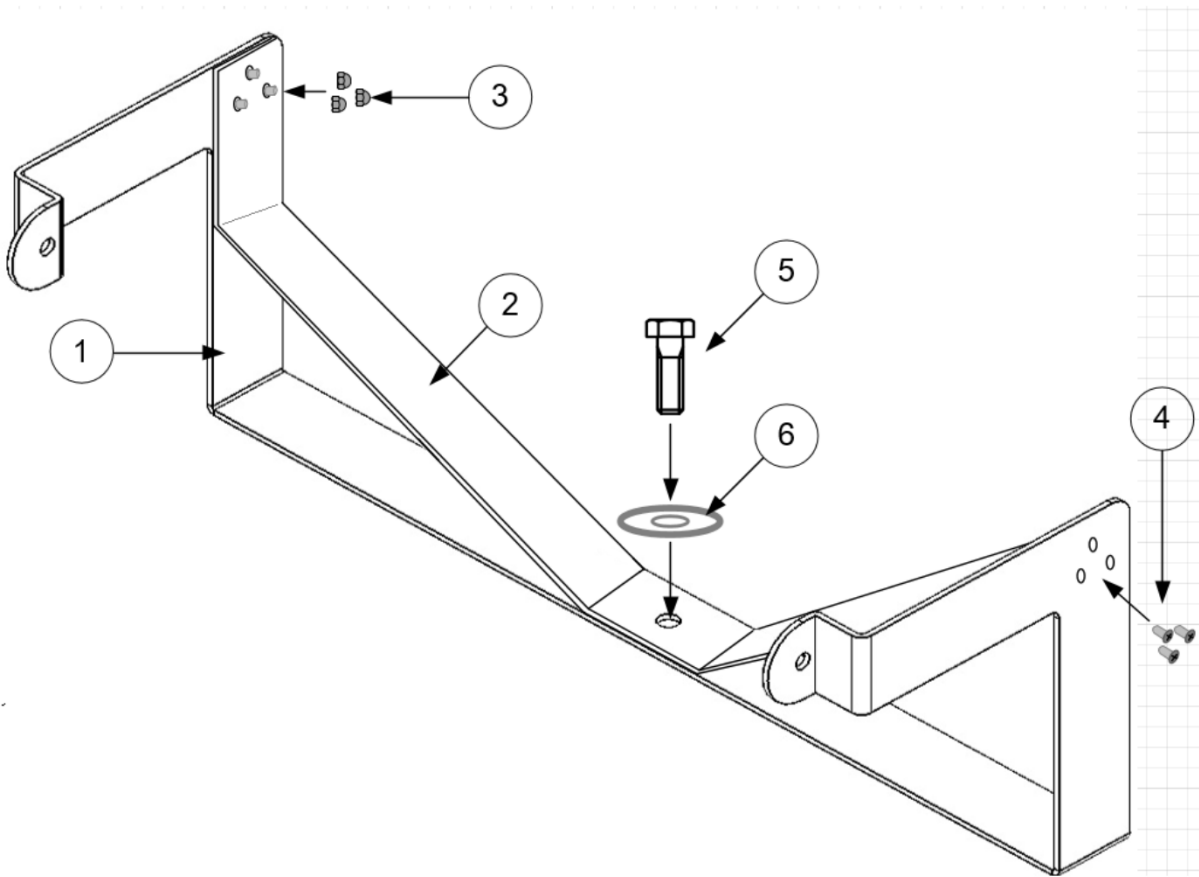


Disconnect Before Servicing!

LiteBLOCK-AEDL

120LM/W MIN -The best way for energy saving

Aluminum Bracket Damper Assembly – Required for external installations.



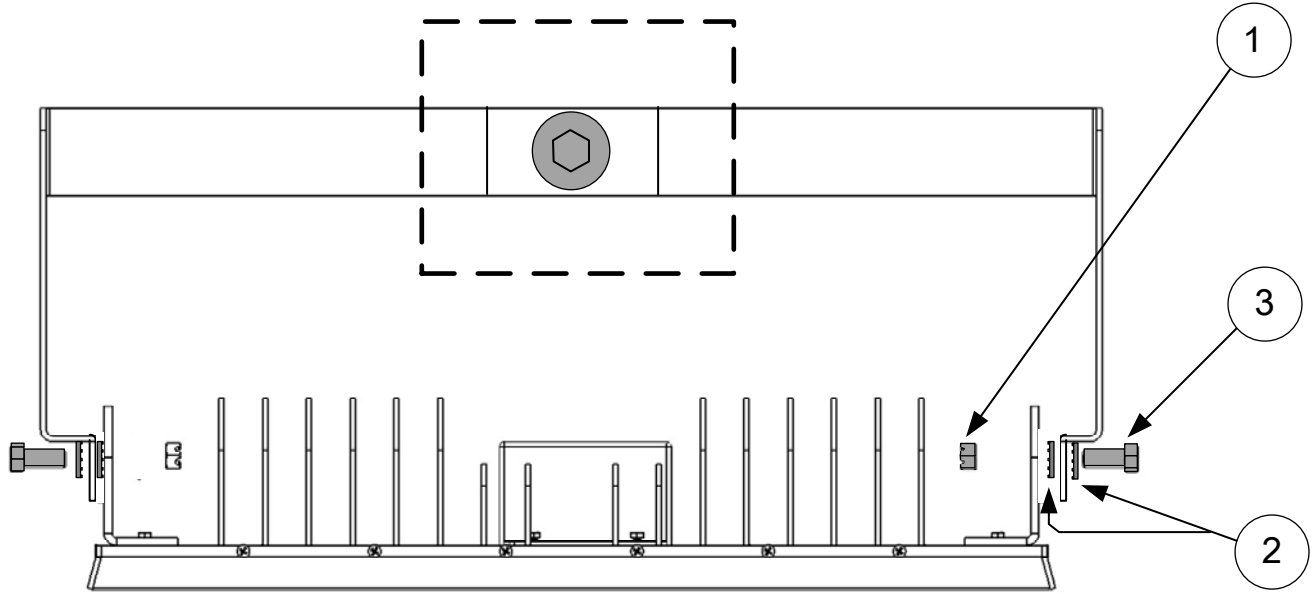
ITEM	QTY	DESCRIPTION	P/N	MANUFACTURER	NOTES
1	1	Luminaire Mount Bracket	MEC-03072016-005-001	IYWInc.	
2	1	Damplng Bracket	MEC-03072016-007-001	IYWInc.	
3	6	8/32 X 3/8" (M10x1.5) Hardened Thread-Cutting Screws	501-A04-1Y	SPAENAU	
4	6	CAP NUT 8/32" (M4.7) UNC	147-M06-1A	SPAENAU	
5	1	M12 BOLT			Supplied by installation company
6	1	Stainless Steel Washer	657-812	SPAENAU	

LiteBLOCK-AEDL

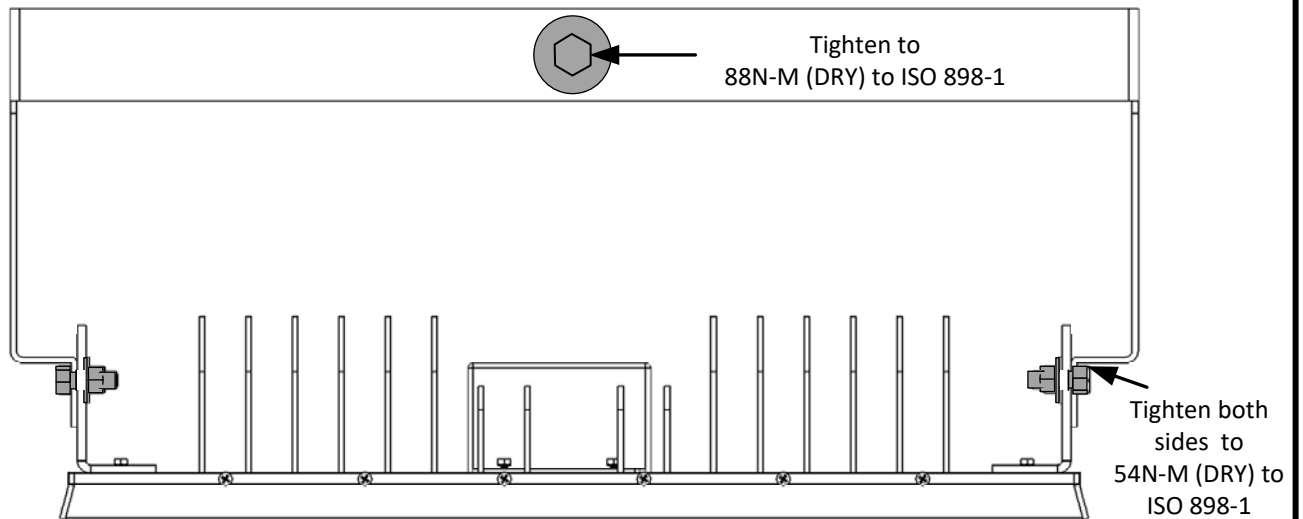
120LM/W MIN -The best way for energy saving

Manufactured by: IYWInc (Industries Yi Fei Wang Inc., St Colomaban, QC, Canada)

Bracket assembly



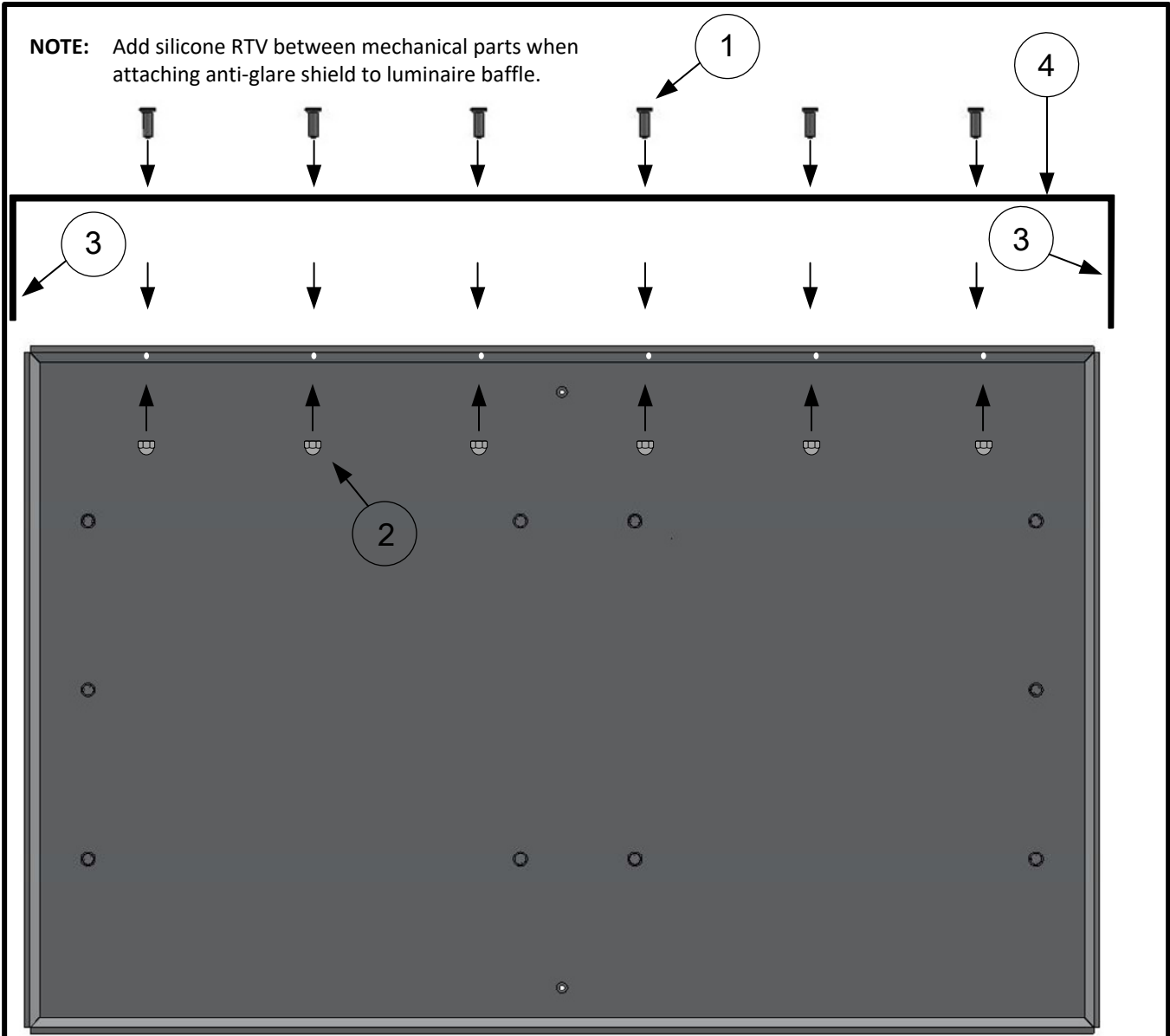
ITEM	QTY	DESCRIPTION	P/N	MANUFACTURER	NOTES
1	2	K_Lok Hex Nut 3/8"-16 unc	175-808	SPAENAUR	
2	4	Stainless Steel Flat Washer (External Tooth)	W-2053	SPAENAUR	
3	2	HEX HEAD CAP SCREW 3/8"-16 UNC X 1"	343-C47-1C	SPAENAUR	



LiteBLOCK-AEDL

120LM/W MIN -The best way for energy saving

Anti-Glare Shield Assembly



ITEM	QTY	DESCRIPTION	P/N	MANUFACTURER	NOTES
1	6	8/32 X 3/8" (M10x1.5) Stainless Steel Screws	501-A04-1Y	SPAENAU	OR EQUIVALENT
2	6	CAP NUT 8/32" (M4.7) UNC	147-M06-1A	SPAENAU	OR EQUIVALENT
3	25 gms	SILICONE RTV	744	DOW CORNING	SPREAD SILICONE EVENLY
4	1	ANTI GLARE SHIELD	MEC-23092016-001	IYWInc	

LiteBLOCK-AEDL

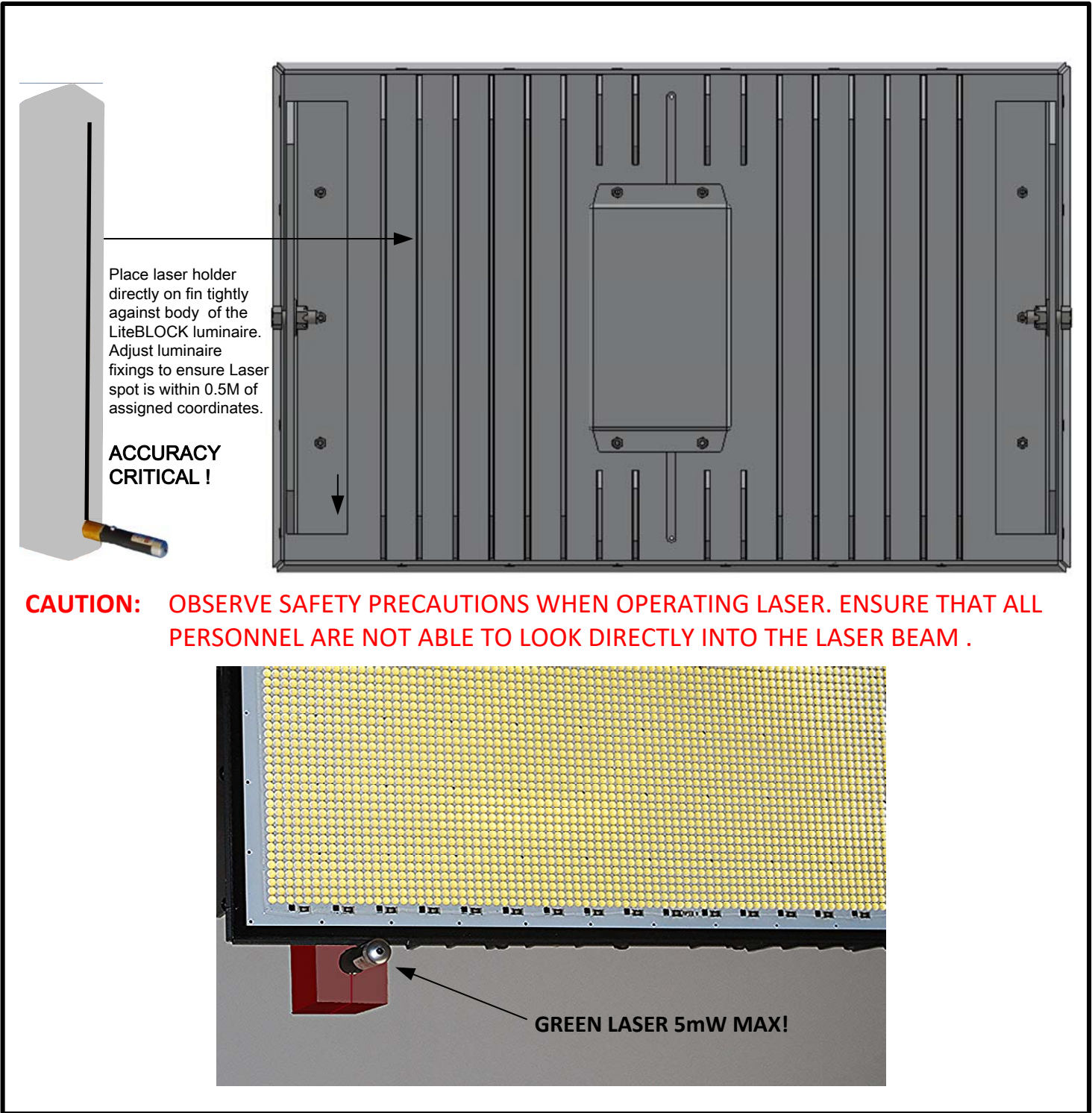
120LM/W MIN -The best way for energy saving

Manufactured by: IYWInc (Industries Yi Fei Wang Inc., St Colomban, QC, Canada)

Installation Manual LiteBLOCK-AEDL

Revision 4; March 2017

Laser positioning Assembly P/N LPF3.25mm X 350mm- For positioning Luminaire to fixed coordinates of field.
(Coordinates are supplied by installation team or by IYWInc. for each specific project)



LiteBLOCK-AEDL

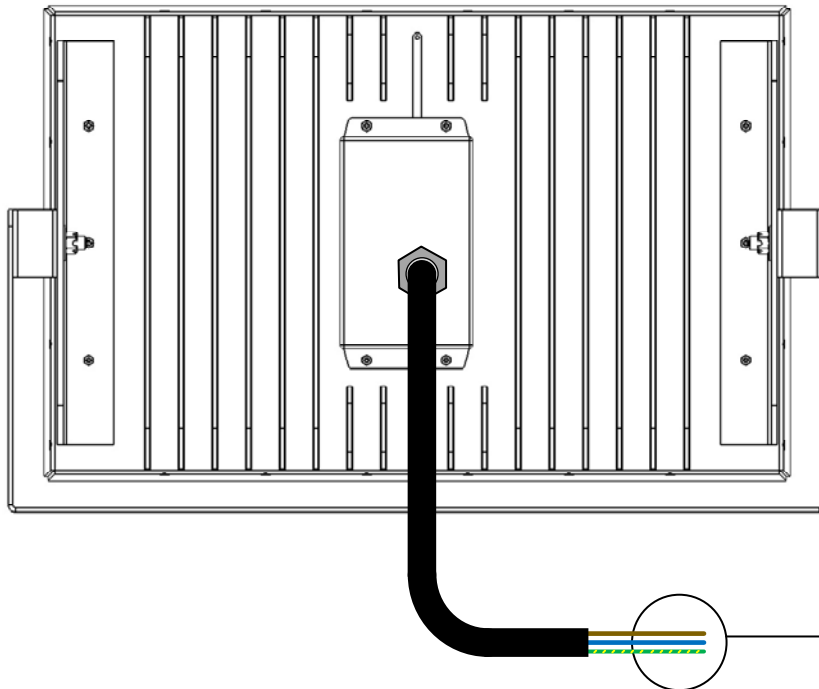
120LM/W MIN -The best way for energy saving

Manufactured by: IYWInc

(Industries Yi Fei Wang Inc., St Colomban, QC, Canada)

Power connections

CAUTION: LUMINAIRE SYSTEM WEIGHT CAN EXCEED 12Kg. ENSURE THAT SUPPORT EQUIPMENT AND PERSONNEL ARE SUFFICIENTLY QUALIFIED AND EQUIPPED FOR THE INSTALLATION TO AVOID PERSONAL INJURY OR DAMAGE TO EQUIPMENT



INPUT VOLTAGE: 180V ~ 265V, 50/60Hz

LOAD CURRENT: Line to neutral = 3.2A Max @ 230V

POWER FACTOR: 0.98 ~ 1.00

COLD START SURGE CURRENT: 15A pk; 7.5A surge average over first 2mS period. Brownout or multiple cycle drop-outs; Soft Start to full load current, no surge.

CAUTION:

OBSERVE CORRECT PHASE/POLARITIES; FOR MULTI-PHASE SYSTEMS, DISTRIBUTE LOADS EVENLY TO NEUTRAL RETURN. INSTALLATION AND CONNECTION ONLY BY QUALIFIED AND CERTIFIED PERSONNEL !

LiteBLOCK-AEDL

120LM/W MIN -The best way for energy saving